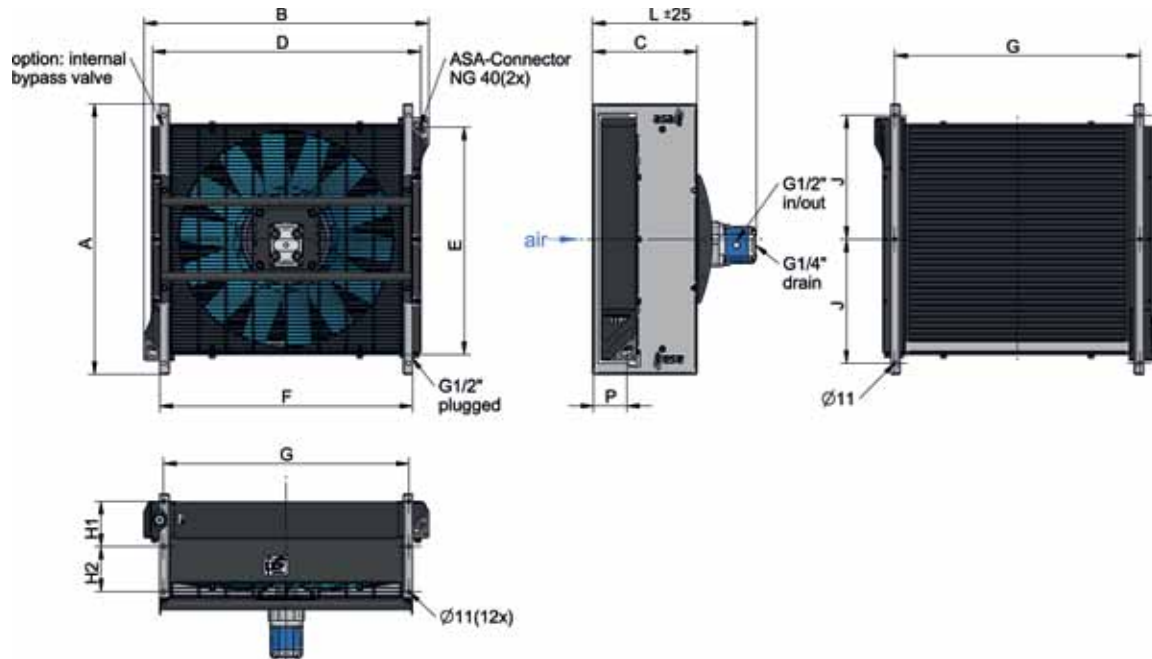


# ASA Series Oil / Air Cooler

## 11cm<sup>3</sup> hydraulic drive



### Dimensions

order number	description	A	B	C	D	E	F	G	H1	H2	J	L	P	weight
		[mm]	[mm]	[mm]	[mm]	[mm]	[mm]	[mm]	[mm]	[mm]	[mm]	[mm]	[mm]	[kg]
ASA0177AH11	ASA 0177 hydr. motor 11cm <sup>3</sup>	530	582	260	534	416	462	442	120	90	490	364	89	35,8
ASA0257AH11	ASA 0257 hydr. motor 11cm <sup>3</sup>	635	682	270	634	501	562	542	110	110	280	383	93	44,5
ASA0367AH11	ASA 0367 hydr. motor 11cm <sup>3</sup>	720	762	280	715	596	676	656	120	120	330	430	92	56,4
ASA0467AH11	ASA 0467 hydr. motor 11cm <sup>3</sup>	785	837	290	789	668	758	738	125	125	375	448	94	72,9
ASA0567AH11	ASA 0567 hydr. motor 11cm <sup>3</sup>	860	920	290	865	746	826	806	125	125	400	448	92	74,1
ASA0727AH11	ASA 0727 hydr. motor 11cm <sup>3</sup>	960	1012	360	964	852	936	912	160	160	460	521	95	103
ASA0927AH11	ASA 0927 hydr. motor 11cm <sup>3</sup>	1100	1170	320	1115	912	1058	1031	130	130	522,5	475	87	125

### Technical Data

order number	description	motor power	oil pressure	oil flow	rotation	air flow	noise level	optional internal bypass (2 bar)
		[kW]	[bar]	[lpm]	[rpm]	[kg/s]	[db(A)]	cooler order number
ASA0177AH11	ASA 0177 hydr. motor 11 cm <sup>3</sup>	0,06	3	12	1000	0,42	61	ASA0177AH11BP
		0,47	14	23	2000	0,73	79	
		1,58	30	35	3000	0,97	91	
ASA0257AH11	ASA 0257 hydr. motor 11 cm <sup>3</sup>	0,12	7	12	1000	0,81	73	ASA0257AH11BP
		0,95	27	23	2000	1,63	80	
		3,20	61	35	3000	2,44	89	
ASA0367AH11	ASA 0367 hydr. motor 11 cm <sup>3</sup>	0,20	12	12	1000	0,94	73	ASA0367AH11BP
		0,68	26	17	1500	1,53	85	
		1,60	48	23	2000	2,20	90	
ASA0467AH11	ASA 0467 hydr. motor 11 cm <sup>3</sup>	0,24	14	12	1000	1,15	77	ASA0467AH11BP
		0,80	31	17	1500	1,75	87	
		1,91	55	23	2000	2,32	90	
ASA0567AH11	ASA 0567 hydr. motor 11 cm <sup>3</sup>	0,23	13	12	1000	1,21	77	ASA0567AH11BP
		0,78	30	17	1500	1,89	87	
		1,86	54	23	2000	2,90	90	
ASA0727AH11	ASA 0727 hydr. motor 11 cm <sup>3</sup>	0,70	40	12	1000	3,75	84	ASA0727AH11BP
		2,30	88	17	1500	5,82	93	
		5,50	158	23	2000	7,83	99	
ASA0927AH11	ASA 0927 hydr. motor 11 cm <sup>3</sup>	1,61	93	12	1000	5,78	88	not available
		3,54	157	15	1300	7,73	92	
		6,60	238	19	1600	9,72	97	

This data sheet and the corresponding scale drawings are to be used as a general guideline and technical overview of our products. Please contact us if more exact information is needed. As we are constantly improving our products, their characteristics, dimensions and weights may also change, although we do our best to incorporate these changes continually. asa assumes no liability for any information therein, any errors, omissions, misprints, nor any direct or indirect damages, losses or costs resulting therefrom. Any cooling performances and general technical values indicated in this catalogue are measured at a test bench according to asa testing procedures or calculated, based on such tests. Due to different conditions in testing and application environments the performance may also vary by +/- 15%. Because there is no standardized testing procedure, tests used by other manufacturers could have different results. Therefore we recommend all products to be checked under the system operating conditions. This is also true for vibrations and mechanical stress as well as for pressure peaks and thermal stress and any other relevant factors. General tolerances according to DIN ISO 2768-v. General tolerances for casted parts according to EN ISO 8062-3 (DCTG 10). Tolerances for rubber parts are according to ISO 3302-1 (class M4-F+C). The tolerances of welding seams are defined by quality group D according to EN ISO 10042, if it is not specified on the actual scale drawing or data sheet. In addition to that we point out that any data sheet and corresponding scale drawing is no substitution for the manual.

# ASA Series Oil / Air Cooler

## 11cm<sup>3</sup> hydraulic drive



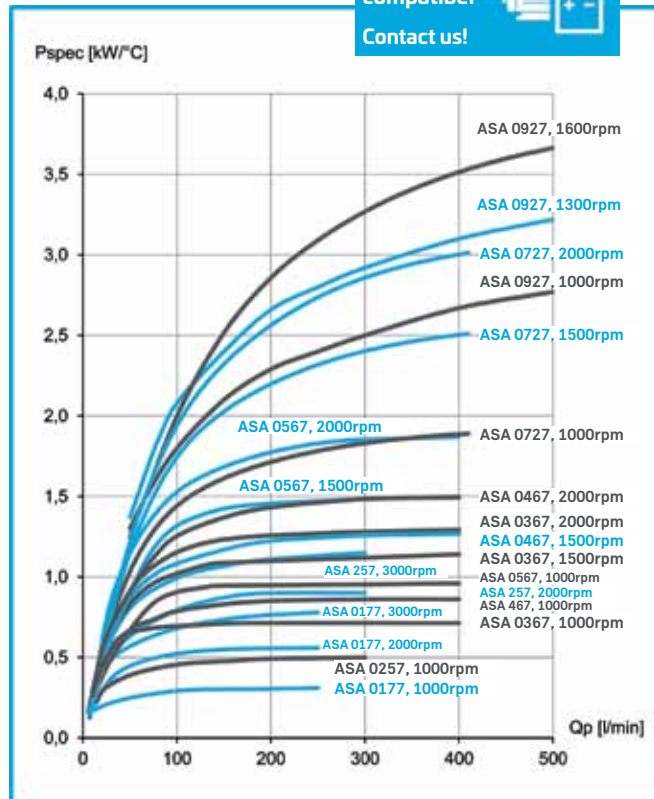
### Performance

specific cooling performance

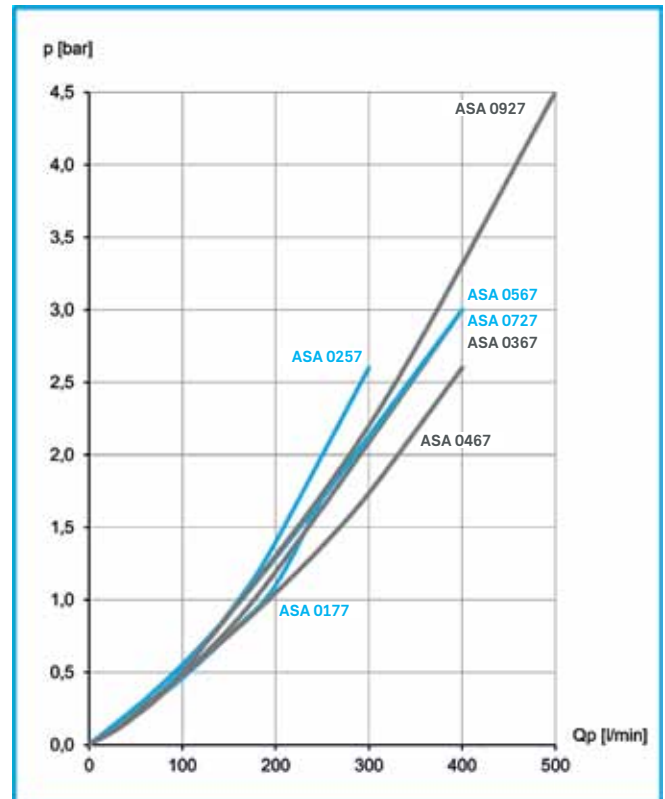
all products  
water/glycol  
compatibel



Contact us!



pressure drop at 30cSt



### Radiator Style C

material:	aluminium
working temperature range:	-20°C to +80°C (oil temperature)
air fin shape:	wavy
working pressure:	26 bar (static)

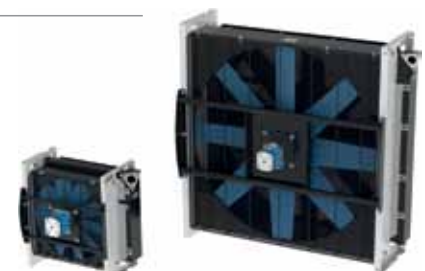
\*...the indicated temperature is the maximum inlet temperature for the cooler radiator. Depending on the sealings in use, the application needs appropriate checking.

### Options

hydraulic motor	alternative displacements on request
temperature switch	ILLZTH4765K, ILLZTH6065K (page 39)
tread plate & radiator guard	see page 35
internal bypass	alternative bypass settings (0,5bar / 3,5bar)
Intermediate plate NG 40	ILLZASA40-40G12 (page 33)

### Installation System (see more information on page 33)

connection BSP 1 ¼"	ILLZASA32G32 (2 pieces per cooler required)
connection BSP 1 ½"	ILLZASA40G40 (2 pieces per cooler required)



This data sheet and the corresponding scale drawings are to be used as a general guideline and technical overview of our products. Please contact us if more exact information is needed. As we are constantly improving our products, their characteristics, dimensions and weights may also change, although we do our best to incorporate these changes continually. asa assumes no liability for any information therein, any errors, omissions, misprints, nor any direct or indirect damages, losses or costs resulting therefrom. Any cooling performances and general technical values indicated in this catalogue are measured at a test bench according to asa testing procedures or calculated, based on such tests. Due to different conditions in testing and application environments the performance may also vary by +/- 15%. Because there is no standardized testing procedure, tests used by other manufacturers could have different results. Therefore we recommend all products to be checked under the system operating conditions. This is also true for vibrations and mechanical stress as well as for pressure peaks and thermal stress and any other relevant factors. General tolerances according to DIN ISO 2768-v. General tolerances for casted parts according to EN ISO 8062-3 (DCTG 10). Tolerances for rubber parts are according to ISO 3302-1 (class M4-F+C). The tolerances of welding seams are defined by quality group D according to EN ISO 10042, if it is not specified on the actual scale drawing or data sheet. In addition to that we point out that any data sheet and corresponding scale drawing is no substitution for the manual.