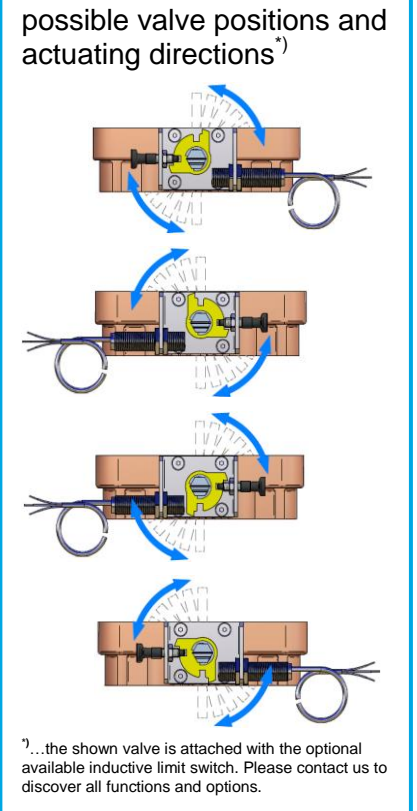
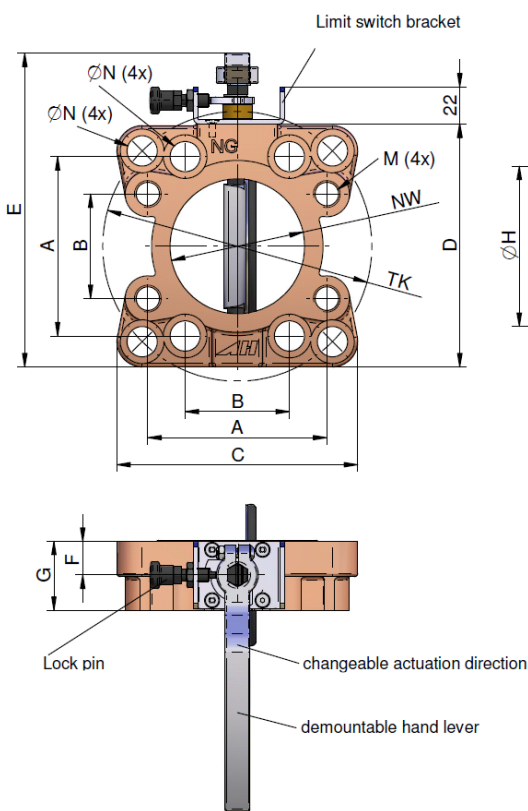


Butterfly Flange

SAE 1 1/2" to SAE 5"

The **asa** butterfly flange with SAE and DIN connections allows the combination with an elastic element (rubber compensator) to make a short compensating and economical connection with the pump port. The lever position can be changed through our new mechanism. The handle direction (clockwise or counter clockwise) can be changed by turning the switch bracket. Please note that the butterfly flange may only be opened in mounted state and with greased or lubricated sealing. The adapter flange may only be welded with demounted butterfly flange.



Technical Data

description	order number	size		A	B	C	D	E	F	G	Ø H	J	M	Ø N	NW	TK	weight
		SAE	DIN	[mm]	[mm]	[mm]	[mm]	[mm]	[mm]	[mm]	[mm]	[mm]	[mm]	[mm]	[mm]	[mm]	[kg]
AF 40	SDA0040	1 1/2"	40	70	35,7	102	120	162	25	43	60	23,5	M12	13,5	40	110	2,17
AF 50	SDA0050	2"	50	77,8	42,9	111	112	155	20	43	73	35,8	M12	13,5	48	125	2,2
AF 63	SDA0063	2 1/2"	65	89	50,8	111	119	161	20	40	83	55,3	M12	13,5	63	125	2,15
AF 80	SDA0080	3"	80	106,4	62	144	145	187	20	41	95	73,9	M16	18	80	160	2,98
AF 100	SDA0100	4"	100	130,2	77,8	163	162	205	20	43	123	98,2	M16	18	100	180	4,01
AF 125	SDA0125	5"	125	152,4	92	185	185	227	20	43	148	124,0	M16	18	125	210	4,8

Working Ranges

max. working pressure	7 bar (absolute)
max. differential pressure	6 bar
temperature range	-20°C to +80°C

Materials

housing	GGG 40, cast iron
lever	steel
valve disc	aluminium
seals	NBR

Options

limit switch	mechanical or inductive type
--------------	------------------------------



This data sheet shows a technical overview of our products. Please contact us if more exact information is needed. As we are constantly improving our products, their characteristics, dimensions and weights may also change, although we do our best to incorporate these changes continually. The information in this data sheet is intended to be used as a first general guideline only. asa assumes no liability for any information therein, any errors, omissions, misprints, nor any direct or indirect damages, losses or costs resulting therefrom. The cooling performance and the general technical values indicated in this catalogue are measured at a test bench according to asa testing procedures. Because there is no standardized testing procedure, tests used by other manufacturers could have different results. Due to different conditions in testing and application environments the cooling performance may also vary by +/- 15%. Therefore we recommend all coolers to be checked under the system operating conditions. This is also true of vibrations and mechanical stress as well as for pressure peaks and thermal stress and any other relevant factors.