

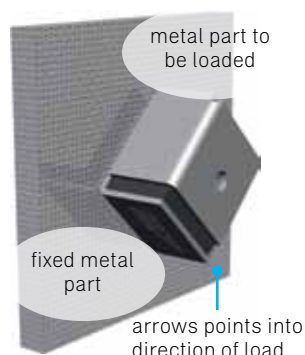
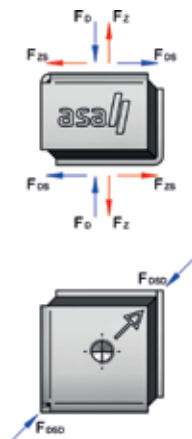
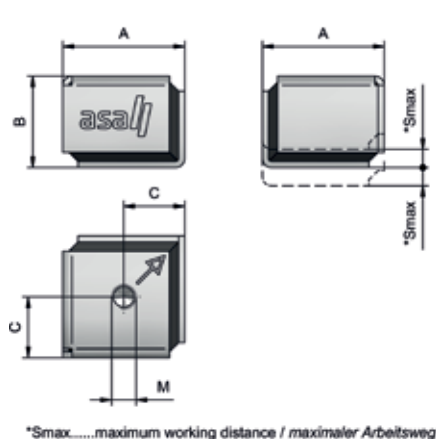
Accessories

rubber vibration absorber, foot mounting brackets

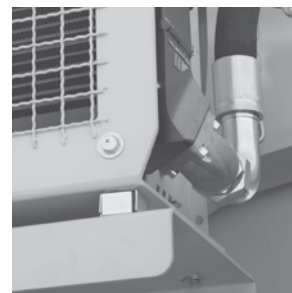


Rubber Vibration Absorber

The asa vibration absorbers are rubber metal connected parts to absorb impact loads on components to protect them and to extend the life time of the system. The patented solution is especially designed for highest shear loads. An assembly system can be checked by arrows on the metal parts, helping to optimize and raise the load capability of the vibration absorber.



- ✓ Zinc coated metal parts
- ✓ Elastomer: natural rubber
- ✓ Working temp. -30°C to +80°C



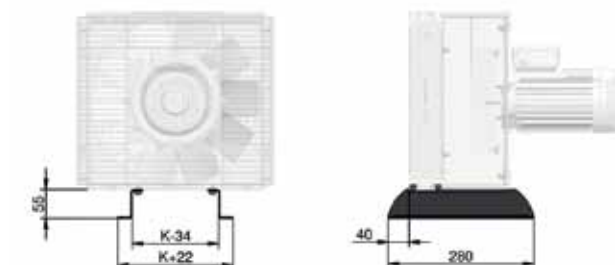
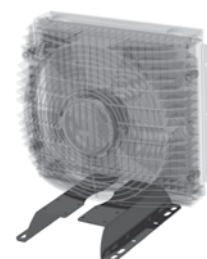
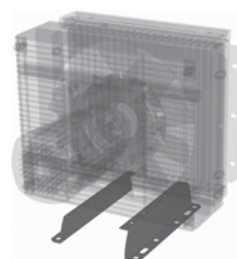
Dimensions

order number	description	A	B	C	M	Smax	weight
		[mm]	[mm]	[mm]		[mm]	[kg]
MDGQ403008IIK	40x40x30 M8	40	30	20	M8	± 3	0,127
MDGQ504510IIK	50x50x45 M10	50	45	25	M10	± 6	0,280
MDGQ755512IIK	75x75x55 M12	75	55	37,5	M12	± 8	0,659
MDGQ1007516IIK	100x100x75 M16	100	75	50	M16	± 9	1,920

Contact us for full data sheet with load capacities, maximum static loads and spring rates.

Foot Mounting

The foot mounting option is available on all rail system coolers. The optional heavy duty design is recommended for use on mobile machines and vehicles or other heavy duty applications. 1 set consists of the 2 feet brackets with mounting material



standard mounting set			heavy duty mounting set		
cooler	K_{min}	K_{max}	cooler	K_{min}	K_{max}
	[mm]	[mm]		[mm]	[mm]
TT 07	100	135	TT 07	135	135
TT 11	150	215	TT 11	135	200
TT 13	150	215	TT 13	135	200
TT 16	200	290	TT 16	135	270
TT 21	200	290	TT 21	135	270
TT 25	200	380	TT 25	135	360

order number	description	fits on cooler type						
		TT 05	TT 07	TT 11	TT11	TT 16	TT 21	TT 25
ILLEFUSSTTK	mounting feet set TT 07 – 25	–	•	•	•	•	•	•
ILLEFUSSTTHDK	mounting feet set TT 07 – 25 (heavy duty)	–	•	•	•	•	•	•

–... not available •... optional available

This data sheet and the corresponding scale drawings are to be used as a general guideline and technical overview of our products. Please contact us if more exact information is needed. As we are constantly improving our products, their characteristics, dimensions and weights may also change, although we do our best to incorporate these changes continually. asa assumes no liability for any information therein, any errors, omissions, misprints, nor any direct or indirect damages, losses or costs resulting therefrom. Any cooling performances and general technical values indicated in this catalogue are measured at a test bench according to asa testing procedures or calculated, based on such tests. Due to different conditions in testing and application environments the performance may also vary by +/- 15%. Because there is no standardized testing procedure, tests used by other manufacturers could have different results. Therefore we recommend all products to be checked under the system operating conditions. This is also true for vibrations and mechanical stress as well as for pressure peaks and thermal stress and any other relevant factors. General tolerances according to DIN ISO 2768-v. General tolerances for casted parts according to EN ISO 8062-3 (DCTG 10). Tolerances for rubber parts are according to ISO 3302-1 (class M4-F+C). The tolerances of welding seams are defined by quality group D according to EN ISO 10042, if it is not specified on the actual scale drawing or data sheet. In addition to that we point out that any data sheet and corresponding scale drawing is no substitution for the manual.