

Low Pressure Compensator Line

SAE 1" to 5"



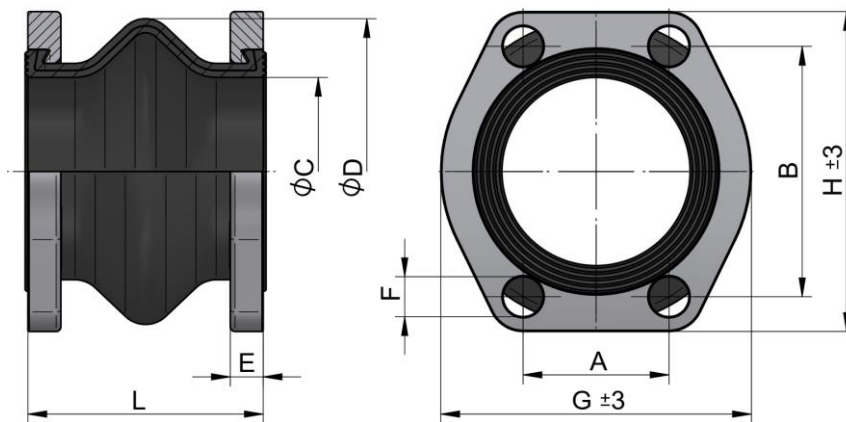
Rubber compensators are elastic connectors with turnable SAE flanges. Compensators are used for damping oscillations, vibrations, noises and movements in axial and transversal direction. The installation can be adapted with butterfly valves and weld-on flanges to form a complete suction unit.

Design

Rubber compensators have a plain surface vulcanized to a fabric body (inside and outside) of the rubber part. The outside is weather resistant and protects the fabric against ageing, wear and corrosion. The interior of the rubber part consists of nitril-butadien-caoutchouc (NBR). The outer layer is a mixture of Chloroprene/Naturalrubber (CR/NR). Because compensators have tightening lips on both sides, further seals are not necessary.

Use

For all mineral oil products (except synthetic oils), crude oil, lubrication oil, cooling oil (-20°C up to 80°C), grease (mineral), cold water, warm water up to 60°C, water/oil emulsions, fuel with 30% aromatic content. For operation in suction and return lines.



Technical Data

order number	description	size		A	B	C	D	E	F	G	H	L	weight
		SAE	NG*										
SDKSS025	K16S – 25	1"	25	26,2	52,4	25 ^{+1 -3}	53±2	11	11	59	70	65±3	0,4
SDKSS032	K16S – 32	1 ¼"	32	30,2	58,7	32 ^{+1 -3}	60±2	11	13	73	79	65±3	0,5
SDKSS040	K16S – 40	1 ½"	40	35,7	70,0	40 ^{+1 -3}	80±2	13	13	83	94	100±4	0,8
SDKSS050	K16S – 50	2"	50	42,9	77,8	48 ^{+1 -3}	96±2	13	13	97	102	100±4	1,0
SDKSS063	K16S – 63	2 ½"	63	50,8	89,0	63 ^{+1 -3}	111±3	14	13	109	114	100±4	1,2
SDKSS080	K16S – 80	3"	80	62,0	106,4	80 ^{+1 -3}	130±3	14	17	132	136	100±4	1,8
SDKSS090	K16S – 90	3 ½"	80	70,0	120,7	80 ^{+1 -3}	130±3	14	17	140	152	100±4	2,4
SDKSS092	K16S – 92	3 ½"	90	70,0	120,7	90 ^{+1 -3}	140±3	14	17	140	152	100±4	1,9
SDKSS100	K16S – 100	4"	100	77,8	130,2	100 ^{+1 -3}	150±3	16	17	152	162	100±4	2,5
SDKSS126	K16S – 125	5"	125	92,0	152,4	125 ^{+1 -3}	180±3	16	17	165	184	130±4	3,0

*... NG = nominal size

Low Pressure Compensator Line

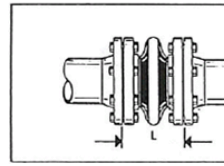
SAE 1" to 5"



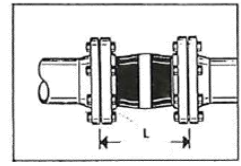
Movements Limits

order number	description	axial**		lateral**	angular**
		min. [mm]	max. [mm]	+/- [mm]	+/- [°]
SDKSS025	K16S – 25	62,5	67,5	2,5	3,5
SDKSS032	K16S – 32	62,5	67,5	2,5	3,5
SDKSS040	K16S – 40	95	105	5	5
SDKSS050	K16S – 50	95	105	5	5
SDKSS063	K16S – 63	95	105	5	5
SDKSS080	K16S – 80	95	105	5	5
SDKSS090	K16S – 90	95	105	5	5
SDKSS092	K16S – 92	95	105	5	5
SDKSS100	K16S – 100	95	105	5	5
SDKSS126	K16S – 125	125	135	5	5

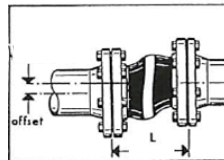
axial min.



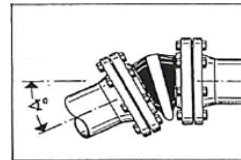
axial max.



lateral



angular



** ... Allowable static range of movement (up to +22°C).
Please note: Data not valid for combined movements. Please contact us for assistance.

Material

rubber inside	NBR
rubber outside	CR/NR (Chloroprene/Naturalrubber)
rubber hardness	70 shore ±5
flange	steel



Working Pressure

maximum working pressure	NG25 to NG80 0,5 - 1,5bar (absolut) NG90 to NG125 0,7 - 1,5bar (absolut)
temperature range	-20°C bis +80°C

Please read manual before installation and for the maximum movement tolerances of the rubber connection! Note, that the dimension tolerances have to be taken from the corresponding scale drawing.