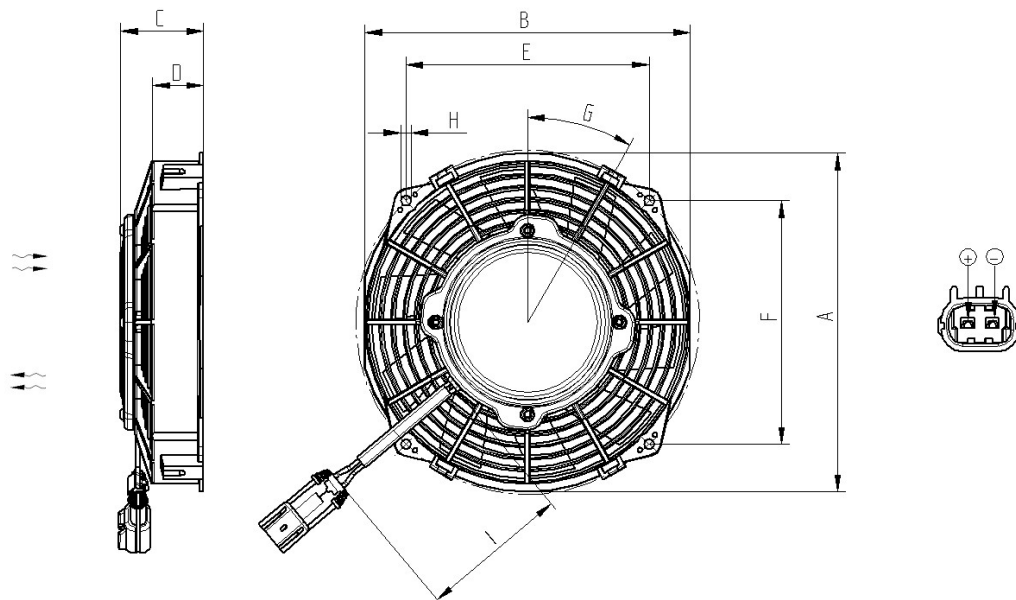


MBD series 24 V



DIMENSION CHART / MASSTABELLE

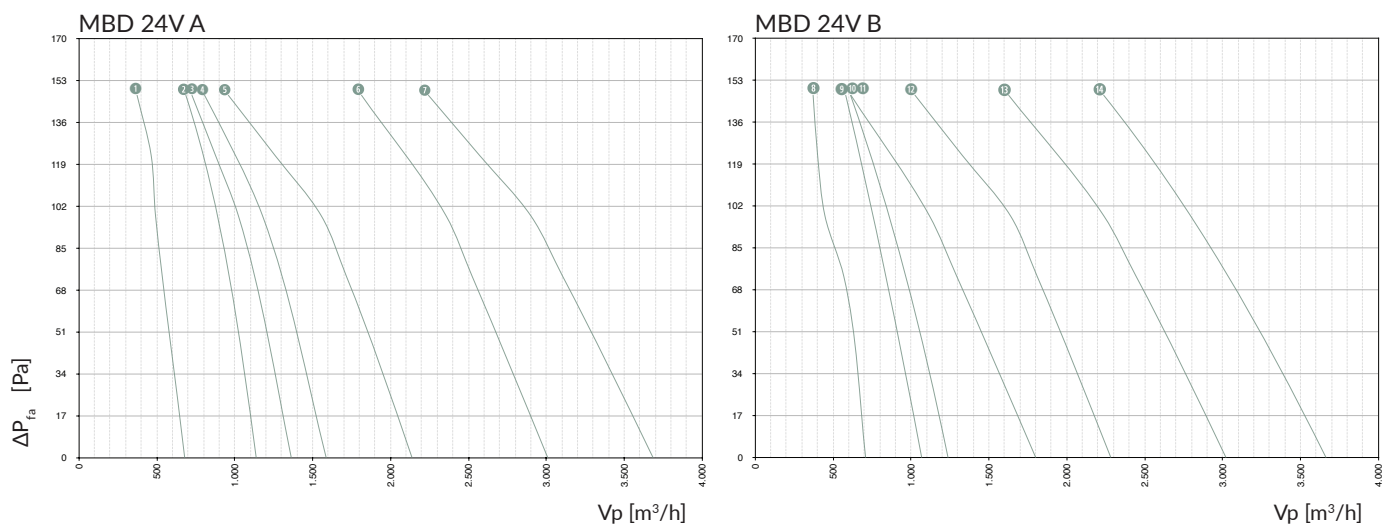
	[mm]	A	B	C	D	E	F	G	H	I
MBD1-190-A24H-AAA / BAA		Ø210	202	52	32	151	151	30°	Ø6.5	400
MBD1-225-A24H-AAA / BAA		Ø247	238	52	28	139	206	23°	Ø8.5	400
MBD1-255-A24H-AAA / BAA		Ø284.5	269	52	28	142	247	45°	Ø6.5	400
MBD2-280-B24H-AAA / BAA		Ø310	294	64.5	28	155	269	30°	Ø6.5	400
MBD2-305-B24H-AAA / BAA		Ø336	321	64.5	28	168	291.5	45°	Ø6.5	400
MBD3-350-C24H-AAA / BAA		Ø383	367	74	28	191	331	45°	Ø6.5	400
MBD3-385-C24H-AAA / BAA		Ø414	400	74	28	206.5	385.5	45°	Ø6.5	400

	[inch]	A	B	C	D	E	F	G	H	I
MBD1-190-A24H-AAA / BAA		Ø8.28"	7.95	2.05	1.26	5.94	5.94	30°	Ø0.26	15.75
MBD1-225-A24H-AAA / BAA		Ø9.22"	9.37	2.05	1.10	5.47	8.11	23°	Ø0.33	15.75
MBD1-255-A24H-AAA / BAA		Ø11.20"	10.59	2.05	1.10	5.59	9.72	45°	Ø0.26	15.75
MBD2-280-B24H-AAA / BAA		Ø12.20"	11.57	2.54	1.10	6.10	10.59	30°	Ø0.26	15.75
MBD2-305-B24H-AAA / BAA		Ø13.23"	12.64	2.54	1.10	6.61	11.48	45°	Ø0.26	15.75
MBD3-350-C24H-AAA / BAA		Ø15.07"	14.45	2.91	1.10	7.52	13.03	45°	Ø0.26	15.75
MBD3-385-C24H-AAA / BAA		Ø16.30"	15.75	2.91	1.10	8.13	15.18	45°	Ø0.26	15.75

Copyright Sovatec Produktions GmbH. This data sheet shows a technical overview of our products. Please contact us if more exact information is needed. As we are constantly improving our products, their characteristics, dimensions and weights may also change, although we do our best to incorporate these changes continually. The information in this data sheet is intended to be used as a first general guideline only. Sovatec assumes no liability for any information therein, any errors, omissions, misprints, nor any direct or indirect damages, losses or costs resulting therefrom. The acoustic values given are only valid under the measurement conditions listed and may vary depending on the installation situation.

MBD series 24 V


CHARACTERISTICS CHARTS / NENNDIAGRAMME




T_r \leftarrow \rightarrow $+80^{\circ}\text{C}$
 -40°C

IP68

TECHNICAL DATA / TECHNISCHE DATEN

		P (W) / (hp)	I (A)	n (min ⁻¹)	U (V)	dB (A)	kg / lbs	Tr (°C) / (°F)
MBD1-190-A24H-AAA	①	78 / 0.10	3.0	3720	24	76	1.17 / 2.58	-30+80 / -22+176
MBD1-225-A24H-AAA	②	107 / 0.14	4.1	3485	24	81	1.25 / 2.76	-30+80 / -22+176
MBD1-255-A24H-AAA	③	118 / 0.16	4.5	3242	24	76	1.29 / 2.84	-30+80 / -22+176
MBD2-280-B24H-AAA	④	117 / 0.16	4.5	3075	24	81	1.56 / 3.44	-30+80 / -22+176
MBD2-305-B24H-AAA	⑤	172 / 0.23	6.6	2782	24	78	1.60 / 3.53	-30+80 / -22+176
MBD3-350-C24H-AAA	⑥	231 / 0.43	8.9	2874	24	81	2.28 / 5.03	-30+80 / -22+176
MBD3-385-C24H-AAA	⑦	252 / 0.34	9.7	2737	24	95	2.37 / 5.22	-30+80 / -22+176

		P (W) / (hp)	I (A)	n (min ⁻¹)	U (V)	dB (A)	kg / lbs	Tr (°C) / (°F)
MBD1-190-A24H-BAA	⑧	89 / 0.12	3.4	3731	24	76	1.17 / 2.58	-30+80 / -22+176
MBD1-225-A24H-BAA	⑨	110 / 0.15	4.2	3512	24	81	1.25 / 2.76	-30+80 / -22+176
MBD1-255-A24H-BAA	⑩	119 / 0.16	4.6	3178	24	76	1.29 / 2.84	-30+80 / -22+176
MBD2-280-B24H-BAA	⑪	128 / 0.17	4.9	2750	24	81	1.56 / 3.44	-30+80 / -22+176
MBD2-305-B24H-BAA	⑫	177 / 0.24	6.8	2761	24	78	1.60 / 3.53	-30+80 / -22+176
MBD3-350-C24H-BAA	⑬	231 / 0.31	8.9	2772	24	81	2.28 / 5.03	-30+80 / -22+176
MBD3-385-C24H-BAA	⑭	248 / 0.33	9.5	2691	24	95	2.37 / 5.22	-30+80 / -22+176

Copyright Sovatec Produktions GmbH. This data sheet shows a technical overview of our products. Please contact us if more exact information is needed. As we are constantly improving our products, their characteristics, dimensions and weights may also change, although we do our best to incorporate these changes continually. The information in this data sheet is intended to be used as a first general guideline only. Sovatec assumes no liability for any information therein, any errors, omissions, misprints, nor any direct or indirect damages, losses or costs resulting therefrom. The acoustic values given are only valid under the measurement conditions listed and may vary depending on the installation situation.